

EFL SERIES

VACUUM INLINE FILTER



- Small, space saving In-line filter
- Built-in One touch fittings (Ø4, Ø6, Ø8 size)
Easy to attach and remove the tube
- Easy maintenance
Transparent case - Allowing to check the element's status from the outside
- Aluminum material connection for body and case
Remarkable external shock and inner-pressure resistance compared to similar products

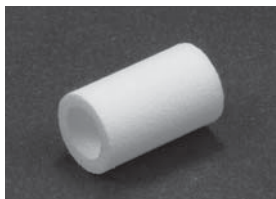
HOW TO ORDER

EFL — **44**
1

1 TUBE O.D

44 : Ø4
66 : Ø6
88 : Ø8

MAINTENANCE PART



ELEMENT

Type	Model
VFL-44E	EFL-44/66
VFL-88E	EFL-88



FILTER KIT (CASE, O-RING)

Type	Model
VFL-44K	EFL-44
VFL-66K	EFL-66
VFL-88K	EFL-88



HOLDER

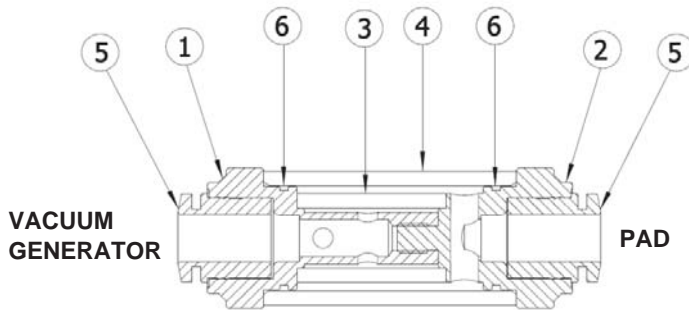
Type	Model
EFL-46H	EFL-44/66
EFL-81H	EFL-88

VACUUM INLINE FILTER EFL SERIES

SPECIFICATIONS

Model	Unit	EFL-44	EFL-66	EFL-88
Usable Fluid	-	Air (non-corrosive, non-flammable gas)		
Ambient Temperature	℃	0 ~ 60		
Usable Pressure	kPa	-95.9 ~ 0		
Proof Pressure	MPa	0.5		
Applicable Tubing O.D	mm	Ø4	Ø6	Ø8
Filtration	μm	15		
Nozzle Diameter	mm	UNDER Ø1.0	UNDER Ø1.5	UNDER Ø2.0
Weight	g	19	20	37

STRUCTURE



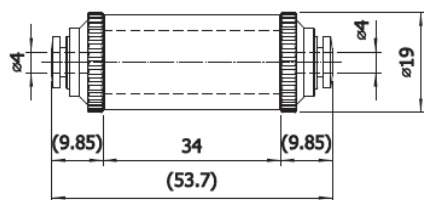
MAIN COMPONENTS

NO	PART NAME	MATERIALS
1	BODY A	ALUMINUM
2	BODY B	ALUMINUM
3	ELEMENT	PVF
4	CASE	PA
5	FITTING	-
6	O-RING	NBR

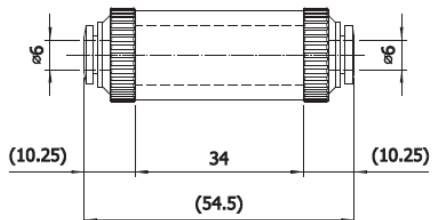
EFL SERIES

EXTERNAL DIMENSIONAL DRAWINGS

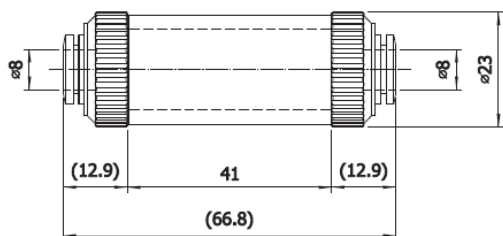
EFL-44



EFL-66

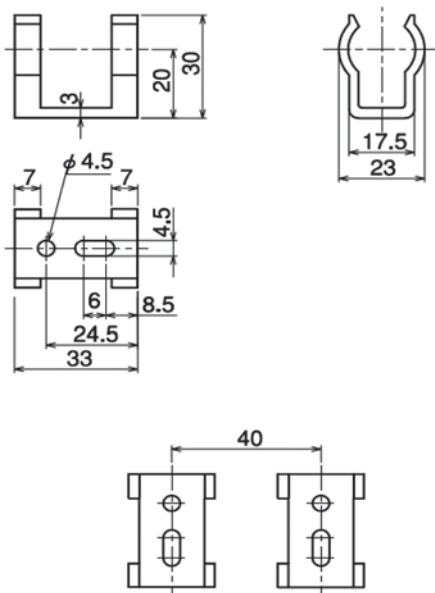


EFL-88



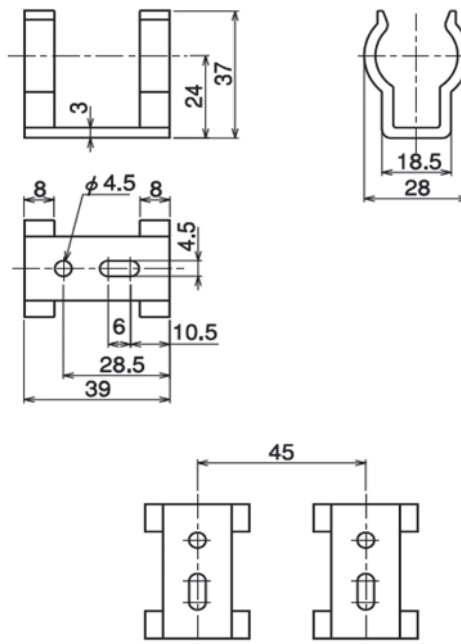
HOLDER

EFL-46H



Recommended Attachment Dimensions

EFL-81H



Recommended Attachment Dimensions